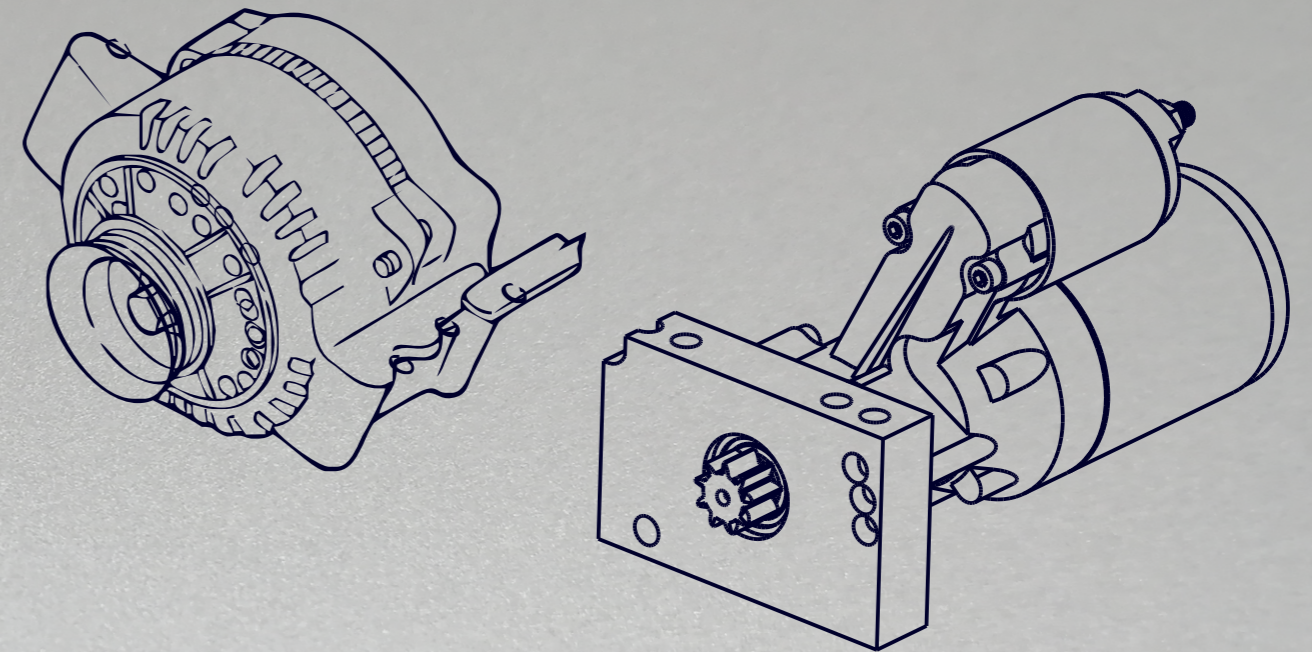




# AOPEC

**AOPEC**  
WORDS ON QUALITY



  
No.2615 Huanqing Rd.  
Kunshan Suzhou 215300 China

  
Tel: +86 512 8616 0118  
Fax: +86 512 8616 0078

  
E-mail: [sales@aopec.com](mailto:sales@aopec.com)

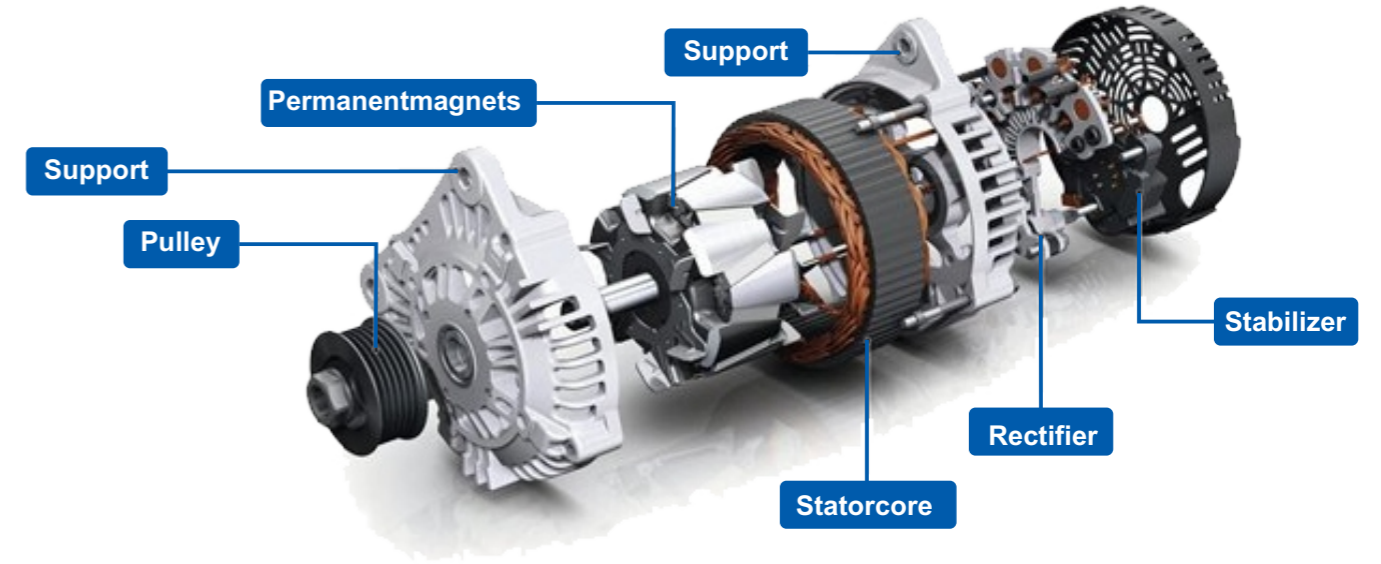
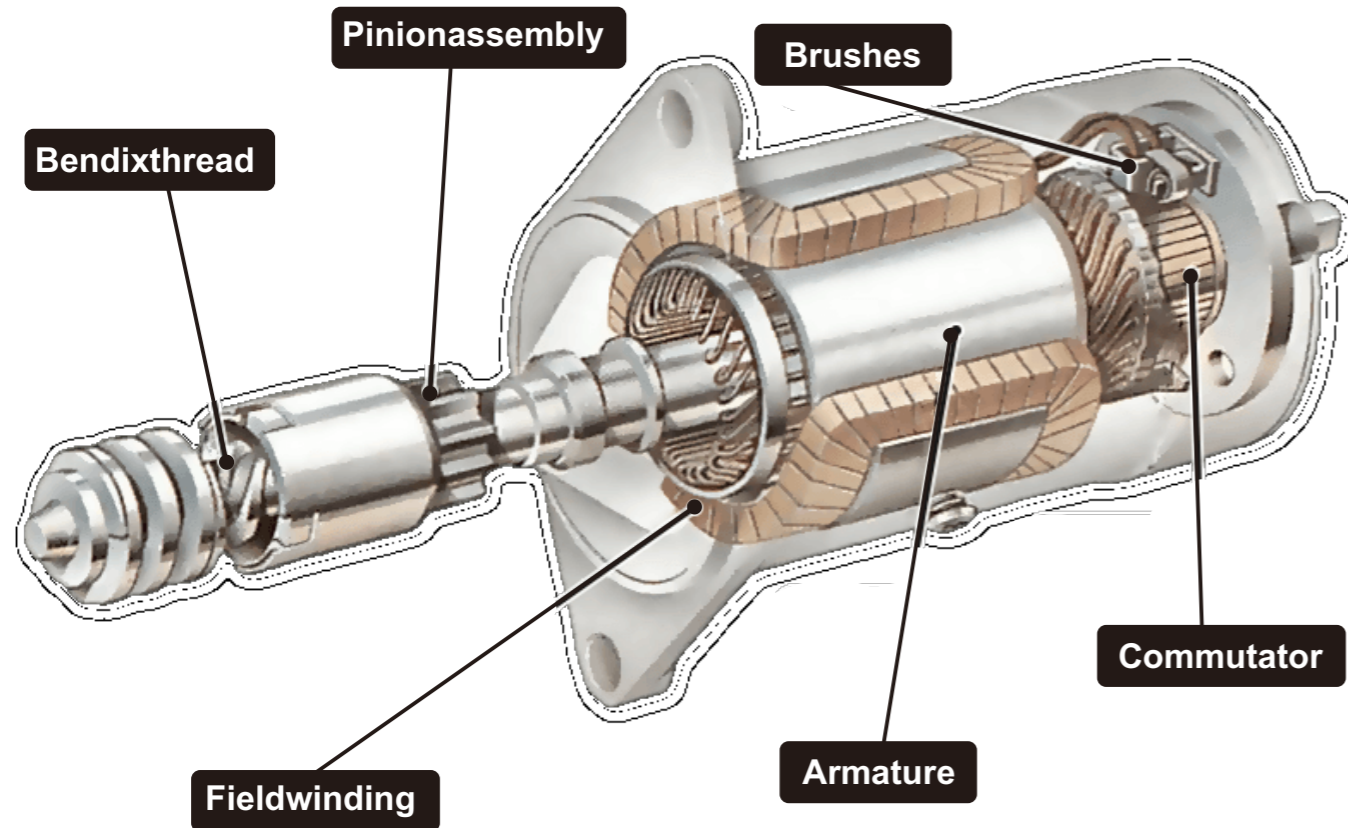


## **RACING STARTERS & ALTERNATORS**

# Hi Performance Starters and Alternators

# STARTERS

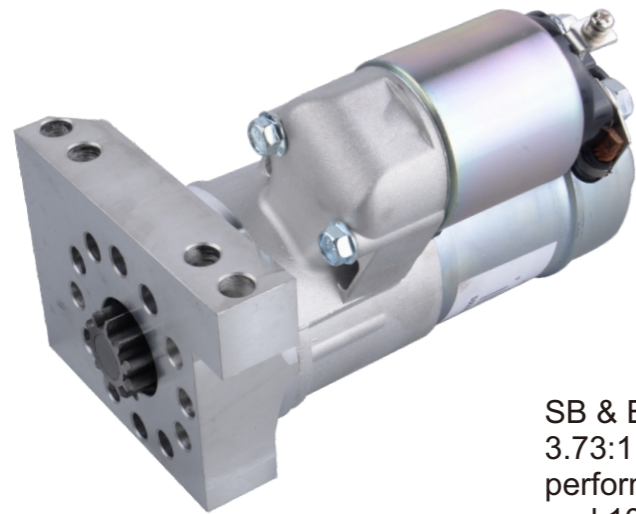
Aopec offers the highest quality starters and alternators for racing and hi performance use. Applications for Chevrolet, Ford, and Mopar are available.



## AOPEC Hi Performance Starters and Alternators

- Ford
- Chevrolet
- Mopar





## 150101

SB & BB Chevy. Works with 153 or 168 tooth flywheels. 3.73:1 gear reduction. Permanent magnet for high performance street/strip use. Up to 11:1 compression SB and 10:1 compression BB. Straight bolt pattern. Clears Most oil pan kick outs and most headers.



## 150103

Hitachi style mini starter. SB & BB Chevy. Works with 153 and 168 tooth flywheels. 160ft. lbs. of torque suitable for 12:1 compression. Straight bolt pattern.

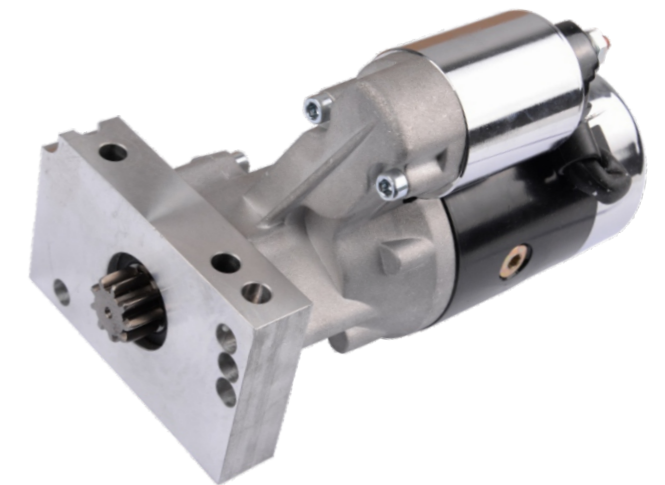
## 150102

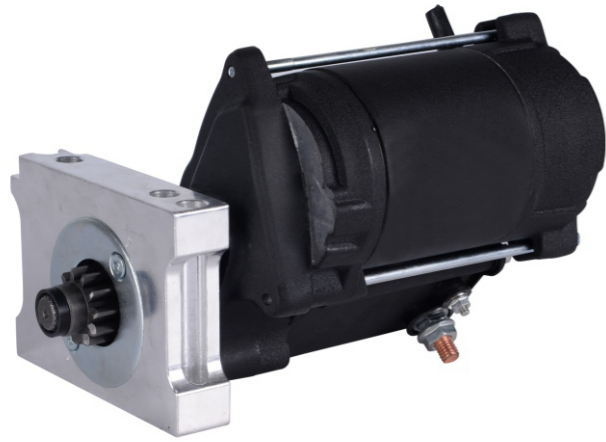
SB & BB Chevy. Works with 168 tooth flywheels. 3.73:1 gear reduction. Permanent magnet for high performance street/strip use. Up to 11:1 compression SB and 10:1 compression BB. Staggered bolt pattern. Clears Most oil pan kick outs and most headers.



## 150104

Hitachi style mini starter. SB & BB Chevy. Works with 153 and 168 tooth flywheels. 180ft. lbs. of torque suitable for 14:1 compression. Straight bolt pattern.





## 150105

Chevy 168/153 tooth DENSO style  
straight mnt 180 Ft./Lbs 13:1.



## 150107

GM DENSO style LS-series engine  
200 Ft./Lbs. 18:1.

## 150106

Staggered bolt GM DENSO style  
staggered mnt 180 Ft./Lbs 13:1.



## 150201

SB Ford 289, 302, 351W mini starter.  
Permanent magnets for high performance  
street/strip use. Up to 11:1 compression.  
Auto tans or 4/5 speed w/157T and 3/4"  
drive depth. 4.4:1 gear ratio.





## 150202

Ford Small Block 289-351W/C A/T & 5 Spd. 157T 3/4 depth. DENSO Style 180 Ft./Lbs 13:1.

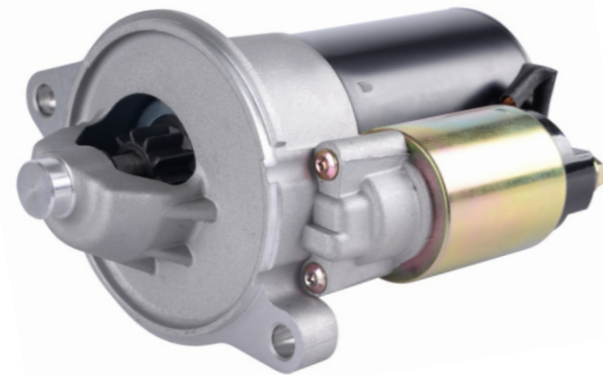


## 150205

Ford 351M, 400, 429, 460. DENSO Style 180 Ft./Lbs 13:1

## 150203

SB Ford 289, 302, 351W mini starter. Permanent magnets for high performance street/strip use. Up to 11:1 compression. Manual trans w/168T and 3/8" drive depth. 4.4:1 gear ratio.



## 150401

Fits Bert/Brinn Transmission  
180 Ft./Lbs of torque  
14:1 Compression



## 150204

Ford 351M, 400, 429-460. Permanent magnet starter for high performance street/strip use. Up to 11:1 compression.



# ALTERNATORS

# ALTERNATORS



## 100101

GM 1 wire alternator  
85 Amp Chrome V-belt 1-wire 10si case.

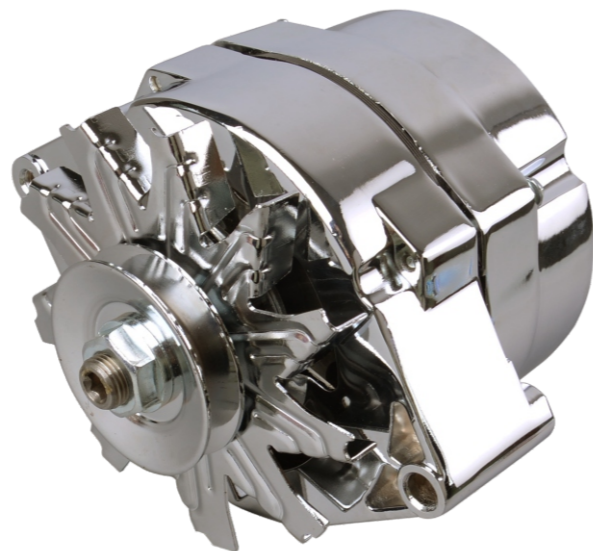


## 100103

GM 1 wire alternator  
100 Amp Natural 6-rib belt 1-wire 12si case

## 100102

GM 1 wire alternator  
100 Amp Chrome V-belt 1-wire 10si case



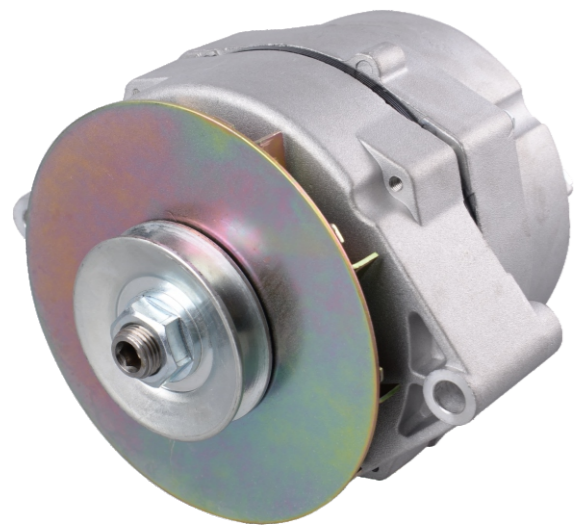
## 100104

GM 1 wire alternator  
100 Amp Chrome 6-rib 1-wire 12si case



# ALTERNATORS

# ALTERNATORS



## 100105

GM 1 wire alternator  
140 Amp Natural finish, V-belt 1-wire 12si case.

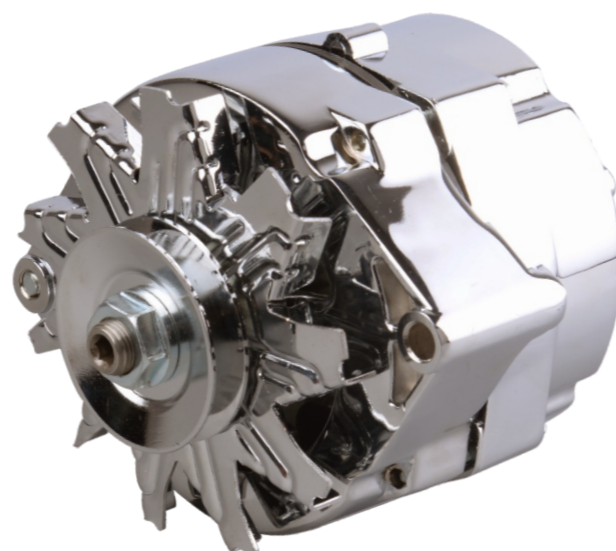


## 100201

Ford 1 wire alternator  
100 Amp Chrome V-belt 1-wire

## 100106

GM 1 wire alternator  
140 Amp Chrome V-belt 1-wire 10si case



## 100202

Ford 1 wire alternator  
100 Amp Chrome 6-rib 1-wire



